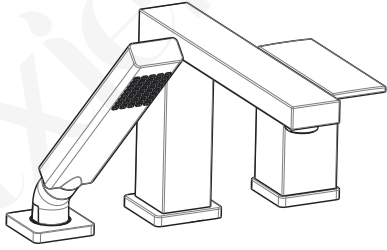


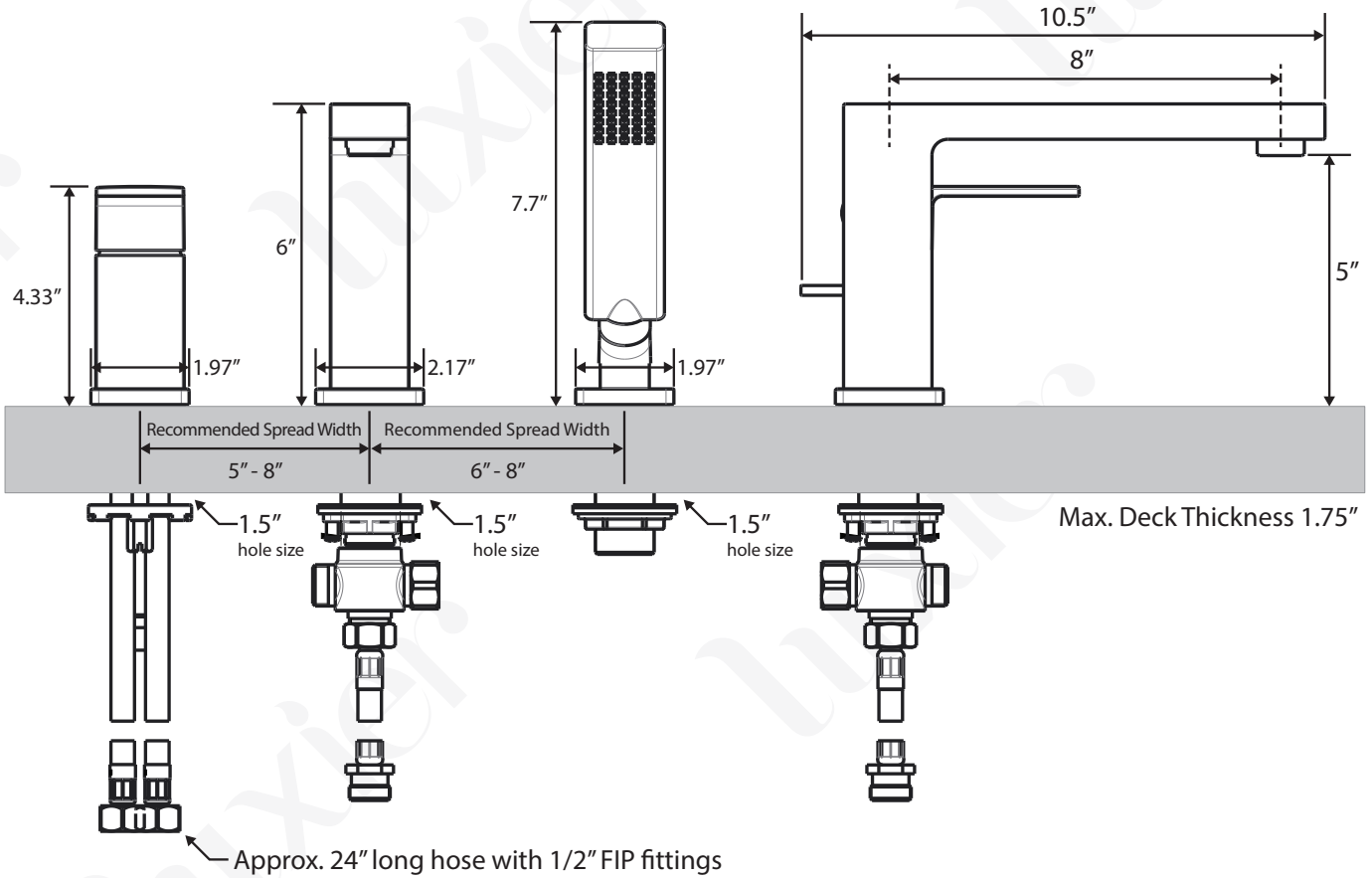


Roman Tub Faucet with Hand Shower



Model Number:
 RTF17-TB (Brushed Nickel)
 RTF17-TC (Chrome)
 RTF17-TM (Matte Black)
 RTF17-TO (Oil Rubbed Bronze)

- Features:
- Drip Free Ceramic Cartridge
 - Hand shower flow rate 1.8 gpm at 60 psi
 - Tub spout flow rate 7.0 gpm at 60 psi
- Complies with:
 IAPMO / UPC / cUPC
 ADA



* Drawing not to scale. All measurements are approximate *

Thank you for purchasing Luxier products. Please read the information below and keep this installation guide for future reference. If you require assistance, please contact our customer service department at 1-877-711-8828, Monday - Friday 9AM - 5PM Pacific Time or by email at support@luxierusa.com.

Limited Lifetime Warranty (For USA Only)

The manufacturer warrants this product to be leak and drip free during daily normal household use for as long as it is owned by the original purchaser of this product. Please keep a copy of the original invoice as proof of purchase.

Should a malfunction occur within the warranty period, Luxier USA will, as its option, (1) repair or replace the defective part(s) or product at no charge; (2) issue a refund of the purchase price paid for the product (Valid within 30 days from the date of purchase); or (3) issue a credit to be applied against the purchase of a new Luxier product. Shipping/delivery charges may apply and are in Luxier USA's sole discretion.

This limited warranty shall not apply to goods which have been subject to accident, negligence, improper installation, product abuse, product misuse, or use of cleaners containing abrasives, alcohol or other organic solvents, whether performed by a contractor, service company, or yourself, are excluded from this warranty.

Our responsibility under this warranty is limited to only to replacement parts and no other costs. Luxier USA will not be responsible for labor charges and/or damage incurred by installation, repair or replacement, nor for any indirect incidental or consequential damages, losses, injury or costs of any nature relating to this faucet. Except as provided by law, this warranty is in lieu of and excludes all other warranties, conditions, and guarantees, whether expressed or implied, statutory or otherwise, including without restriction those merchantability of fitness for use.

This limited warranty is non-transferable. This limited warranty only applies to products purchased and installed in the United States. This limited warranty covers the original consumer purchase only and does not include business, commercial or industrial use of this product. To obtain service under the Limited Warranty, please contact Luxier USA at support@luxierusa.com. The Luxier USA Customer Care Department will determine whether to repair or replace your product, issue a refund, or issue a credit.

Important Points

- This installation guide is subject to change without notice, please contact us to request the most updated version of this installation guide.
- This is a general installation guideline, actual installation may vary. Consult a professional if necessary.
- Read and understand this instructions completely before installation.
- Please follow all local building and plumbing codes.
- Product drawings in this installation guide is for illustration purpose only. Actual product may vary depends on model.
- Always take extra precautions and wear appropriate safety equipment when installing this product.
- Wrap all threaded connections, except the aerator in the spout, with Teflon (PTFE) tape. Always wrap in a counterclockwise direction.
- When installing your new faucet, first hand tighten the water supply hoses then use a wrench to give the compression nuts an additional (1/4) turn. Do not overtighten the compression nuts as it will reduce the integrity of the sealed connection.

You may also need the following tools

1. Safety Glasses	5. Adjustable / Pipe Wrench
2. Teflon (PTFE) Tape	6. Screwdriver
3. Plumber's Putty and Caulking	
4. Pipe Cutter	

Maintenance Guide

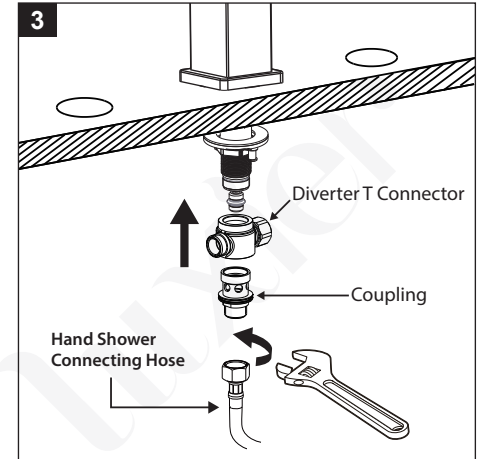
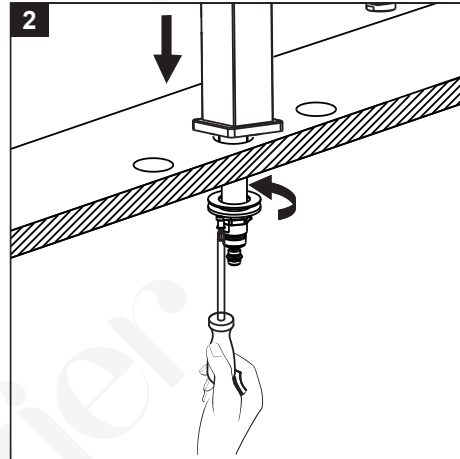
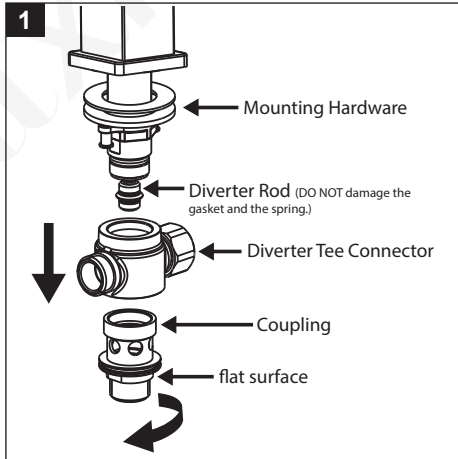
Please follow the cleaning material manufacturer's instructions. Damage caused by improper treatment will not be covered by product warranty. In addition, pay attention to the following points:

- Regular cleaning can prevent mineral build up on faucet spout.
- Carefully read the cleaner product label to ensure the cleaner is safe for use on the material.
- Test the cleaner on a small area before using on the entire surface.
- Use a mild detergent such as liquid dishwashing soap and warm water for cleaning.
- Do not use abrasive / harsh chemical when cleaning the fixture as they will damage and dull the finish.
- When using spray cleaners, spray first onto a soft cloth or sponge. Never spray directly onto the faucet as droplets can enter openings and gaps and cause damage.
- After cleaning, rinse thoroughly with clean water to remove any cleaner residue.

Installation

IMPORTANT:

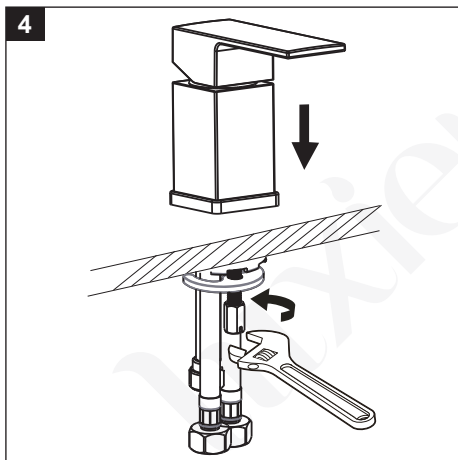
- This product should be installed by professional installers.
- It is strongly recommended to dry fit all parts before final installation.
- Install shut off valves for the water supply to roman tub faucet at an easily accessible location.
- Provide adequate clearance around the roman tub faucet for easy installation and maintenance.



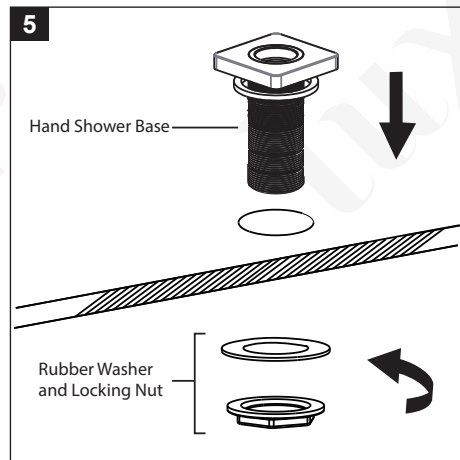
1. The Diverter Tee Connector and Mounting Hardware must be removed from the Tub Spout before installation. Use an adjustable wrench grab the flat surface of the Coupling to remove the Coupling. Pull out the Diverter Tee Connector and remove the Mounting Hardware (CAUTION: DO NOT damage the rubber gasket and the spring on the Diverter Rod)

2. Place tub spout through the mounting hole and thread on the mounting kit. Tighten the 2 screws with a screwdriver to secure the tub spout in place.

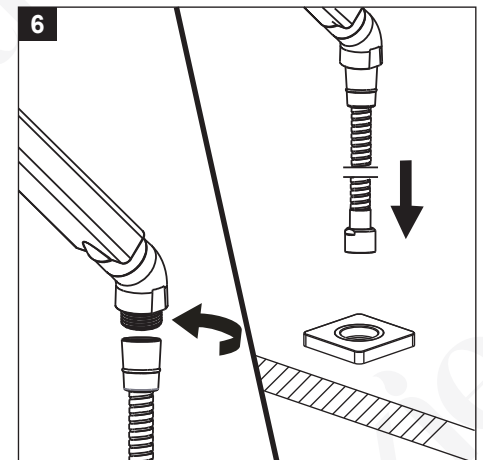
3. Install the Diverter Tee Connector and the Coupling back onto the tub spout. Connect Hand Shower Connecting Hose to the Diverter Tee Connector as shown.



4. Insert the Control Handle through the deck and secure the unit with C Shape Rubber Washer, C Shape Metal Washer and Locking Nut.



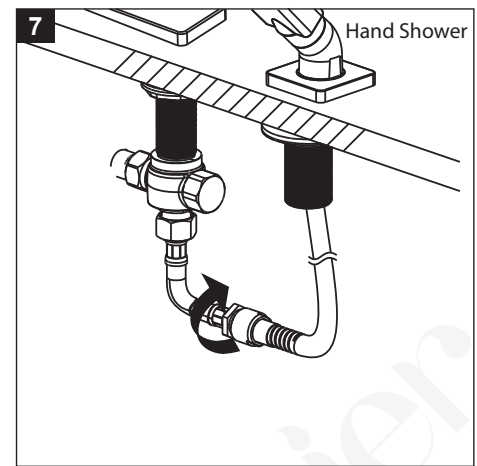
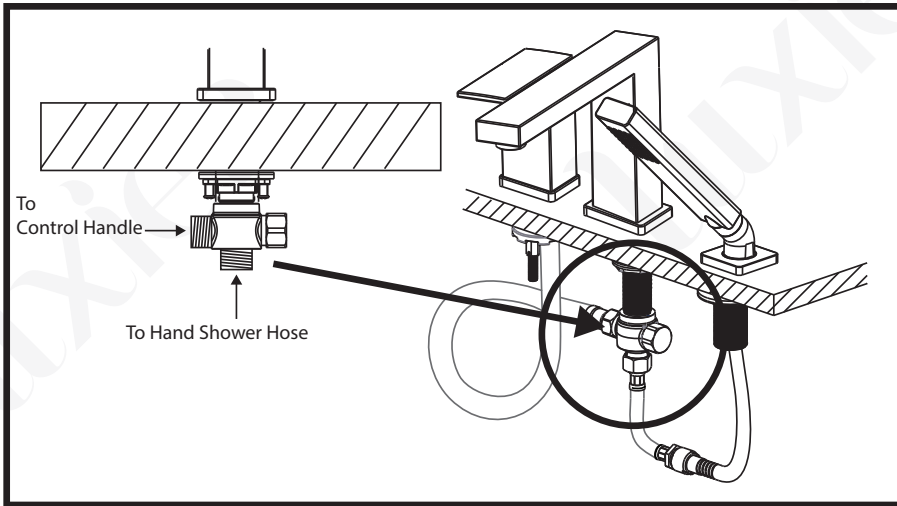
5. Remove the Rubber Washer and Locking Nut from the Hand Shower Base. Insert the base through the deck hole and secure it with the washer and the locking nut.



6. Attache Hand Shower Hose to the Hand Shower as shown. Insert the other end of the hose into the Hand Shower Base.

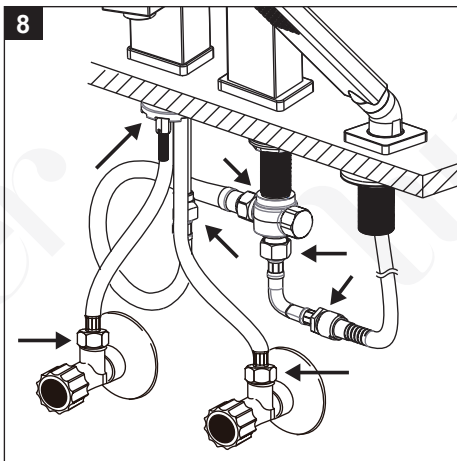
Installation (cont.)

Hose Connections Diagram

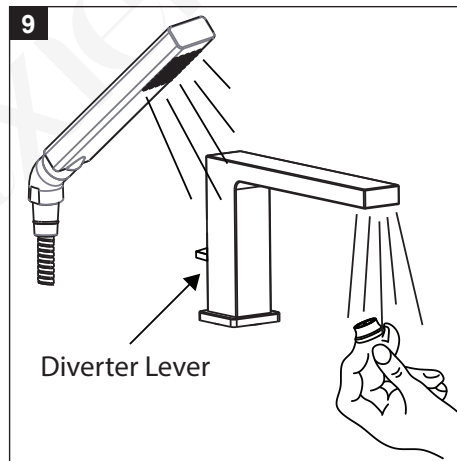


7. Connect the Hand Shower Hose to the Hand Shower Connecting Hose.

Connect the hoses as shown in the diagram. **IMPORTANT:** Diverter will NOT function properly if the hose connections are wrong.

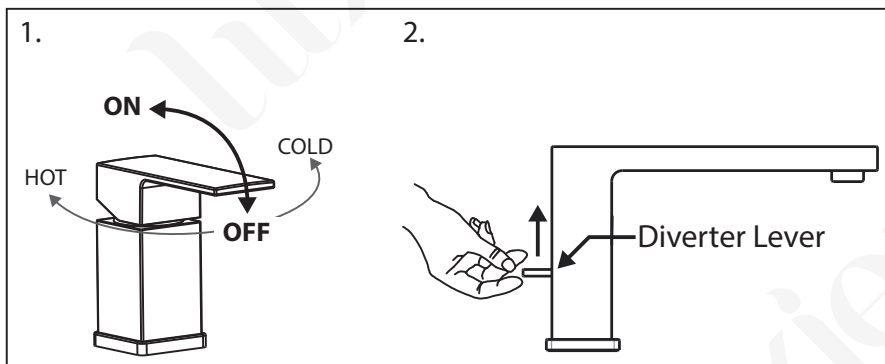


8. Connect both Water Supply Hoses to the shutoff valves. Turn on water and let the unit run for about 1 minute while checking for leaks at the connections.



9. Remove the Aerator with an adjustable wrench. Turn off the tub filler to flush water lines thoroughly. Lift the Hand Shower from its base. Divert the water to Hand Shower by lifting up the Diverter Lever. Check for leaks at the Hand Shower connections.

Operations



1. To operate the Tub Filler simply lift up the handle to the ON position to turn on the water. Adjust the temperature by moving the handle from side to side to set the desired water temperature.

2. To operate the Hand Shower, lift the Hand Shower from its base and direct the jets into the tub. Move the Diverter Lever up to divert water to the Hand Shower. Return the Diverter Lever to its original position to divert the water back to the Tub Spout.

Troubleshooting

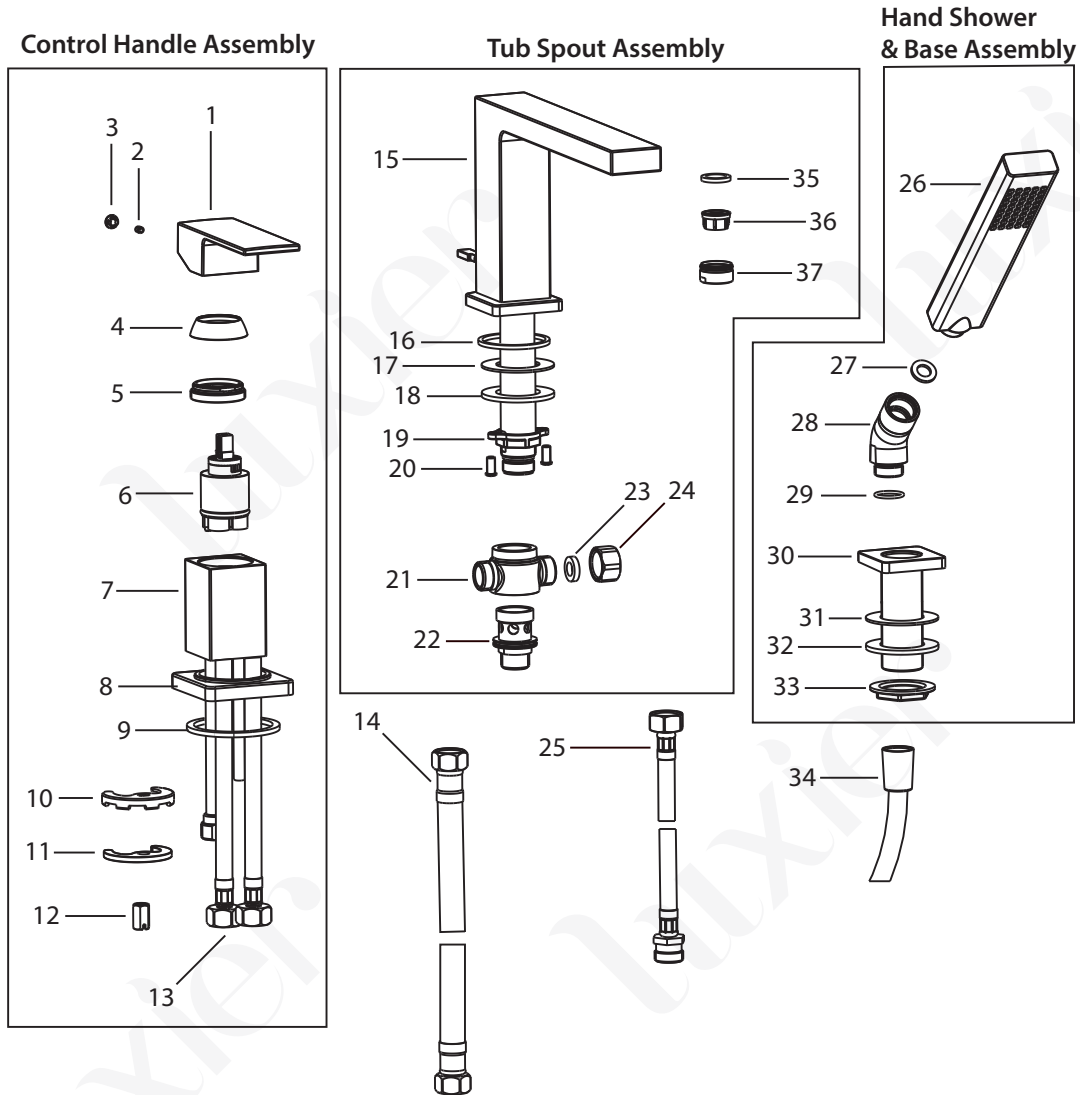
Problem:

1. Water flowing from Hand Shower when the tub filler is first turned on.
2. Diverter Lever does not stay down, unable to direct water flow to spout.

Solution:

Make sure the Hoses are connected properly refer to the hose diagram on page 5. The diverter lever will not function if the hoses are connected incorrectly.

Parts



- 01. Handle
- 02. Setscrew
- 03. Cap
- 04. Dome Cap
- 05. Bonnet
- 06. Cartridge
- 07. Control Handle Body
- 08. Control Handle Body Base Trim
- 09. Flat O-ring
- 10. C Shape Rubber Washer
- 11. C Shape Metal Washer
- 12. Locking Nut
- 13. Hot and Cold Water Supply Hoses*

- 14. Connecting Hose
- 15. Tub Spout
- 16. Flat O-ring
- 17. Rubber Washer
- 18. Metal Washer
- 19. Spout Locking Nut
- 20. Screws (x2)
- 21. Diverter Tee Connector
- 22. Coupling
- 23. Washer
- 24. Cap

- 25. Hand Shower Connecting Hose
- 26. Hand Shower
- 27. Rubber Washer
- 28. Hand Shower Elbow
- 29. Rubber O-ring
- 30. Hand Shower Base
- 31. Rubber Flat Washer
- 32. Metal Washer
- 33. Hand Shower Locking Nut
- 34. Hand Shower Hose
- 35. Rubber Washer
- 36. Aerator
- 37. Aerator Cap